

BOROUGH OF RED LION

Curb and Sidewalk Specification *Summary**

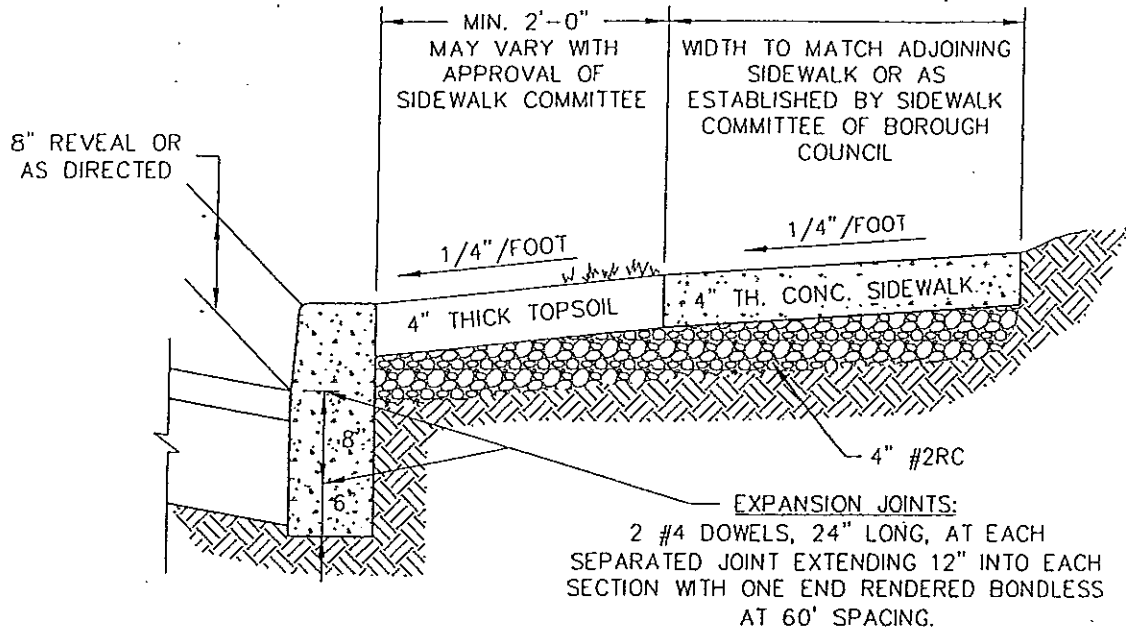
*"Red Lion Borough Construction and Material Specifications for Land Development", dated August, 2005 contains the actual specifications. This *summary* is provided for convenience only.

Prior to Construction

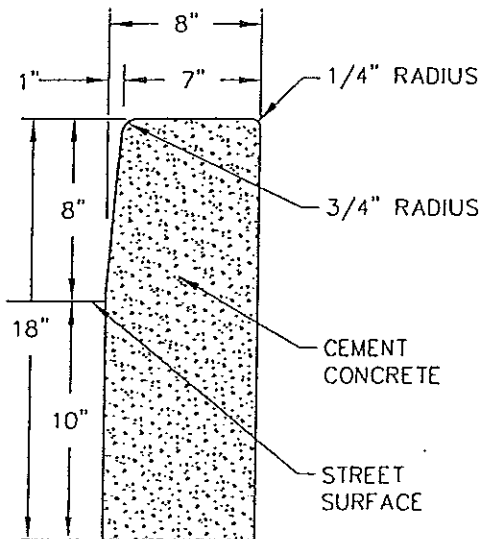
1. Contact Brett Paterson, Public Works Supervisor, 244-2567 or 244-2475
 - a. Obtain required permits
 - b. Schedule inspections
2. Complete PA One Call, 1-800-242-1776

Construction

1. Excavation
 - a. Saw cut existing pavement, sidewalk and curb adjacent to the proposed improvements.
 - b. Excavate to required depth and properly dispose of all material.
 - c. Compact existing subgrade. If soft subgrade is encountered, over excavation and placement of suitable material is required. **Inspection of Subgrade required.**
2. Use 3,300 PSI Concrete for Curb and Sidewalk construction.
3. Curb
 - a. Construct **Vertical Curb Only** unless approved by Borough Engineer
 - b. Provide 8" Curb Reveal, unless approved otherwise.
 - c. **Inspection of Formwork required prior to pouring concrete.**
 - d. Construct as shown on attached Details 2525-1 and 2525-2 including but not limited to dimensions, reinforcement, materials and radii.
 - e. Contraction joints (3/16" wide x 2" deep) to be done every 10 feet. **Inspection of stone base and/or reinforcement is required prior to pouring concrete.**
 - f. Place 1/2" expansion joint at 60 feet, end of each pour, beginning/end of all radii, between adjacent sidewalk, and other permanent structures. A 3/4" expansion joint is required at all storm inlets.
 - g. Construction along State Routes requires PennDOT approval.
4. Sidewalk
 - a. Use standard 4" thickness except;
 - i. 6" thickness at driveways and handicap ramps.
 - ii. 8" thickness over sanitary and storm sewer easements.
 - b. Construct as shown on attached Details 2525-1 and 2525-2 including but not limited to dimensions, stone base, reinforcement, materials, radii, cross slopes (1/4" per foot max), grass strips (needs approved by committee). **Inspection of stone base and/or reinforcement required prior to pouring concrete.**
 - c. Score contraction joints at 5 foot intervals; **do not saw cut.**
 - d. Place 1/4" expansion joint at 30 foot intervals and a 1/2" joint at all permanent structures.
 - e. Provide light broom finish.
 - f. Roof leaders shall be installed under sidewalk and through the curb. Existing utility boxes shall be adjusted to match grade of new sidewalk. The work shall be coordinated with the affected utility owners.
5. Stamped/Colored Concrete
 - a. Color and patterns must be approved by Borough prior to construction.
 - b. Construct as shown on attached Detail 2525-4.
 - c. All color to be evenly mixed into concrete.
6. Handicap Ramps
 - a. American with Disabilities Act requires Handicap Ramps in accordance with attached Detail 2525-3 shall be constructed at every street corner.
7. Restoration
 - a. All adjacent areas shall be restored in kind.



CONCRETE CURB & SIDEWALK DETAIL



VERTICAL CURB
TYPICAL CROSS SECTION
(RC-64 STD.)

NOTE: NOT TO SCALE

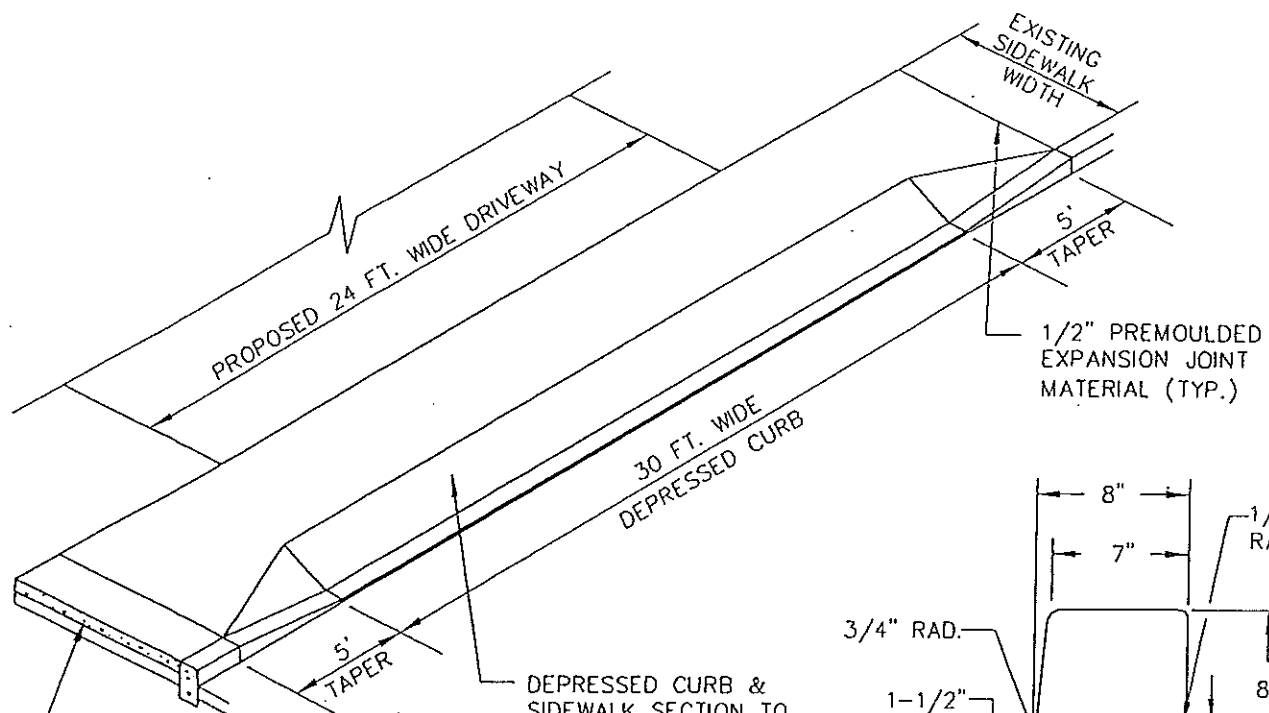
RED LION BOROUGH CONSTRUCTION & MATERIALS SPECIFICATIONS

RED LION BOROUGH
CENTER SQUARE, P.O. BOX 190
RED LION, PA 17356
TELEPHONE: (717)244-3475 FAX: (717)246-0455

STRAIGHT CURB AND
SIDEWALK DETAIL

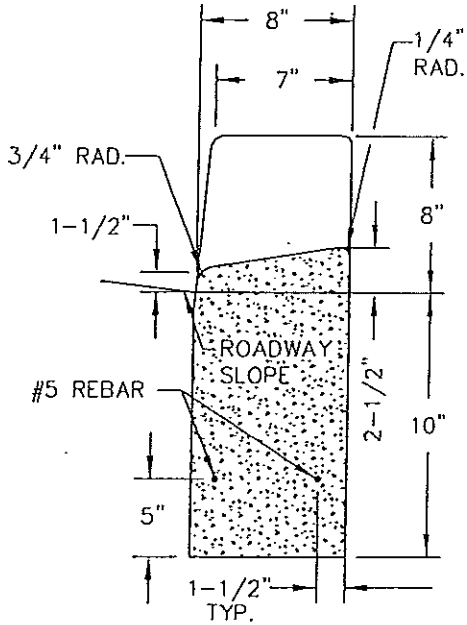
| | |
|-----------|---------|
| DATE: | 9/2005 |
| DRAWN BY: | JLD |
| CHK. BY: | SKS |
| NO. | 02525-1 |

N:\1123100\000\000\02525-1.dwg, 10/10/2005 10:10:41 AM, nr_5000.plt

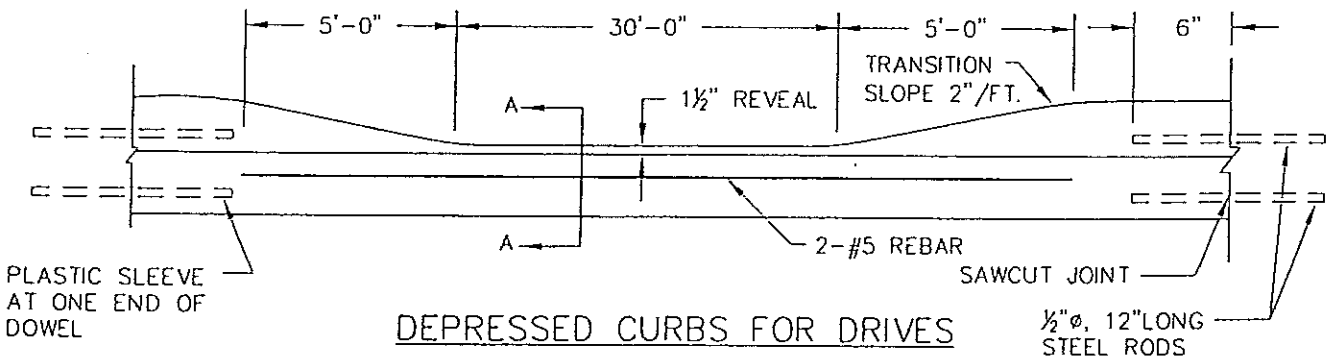


CONCRETE SIDEWALK REMOVED FOR INSTALLATION OF DEPRESSED CURB TO BE REPLACED TO MATCH EXISTING

DEPRESSED CURB & SIDEWALK SECTION TO BE 6" THICKNESS THROUGHOUT 3,300 PSI CONCRETE (MIN.)



SECTION A-A



DEPRESSED CURBS FOR DRIVES

NOTE: NOT TO SCALE

RED LION BOROUGH CONSTRUCTION & MATERIALS SPECIFICATIONS

RED LION BOROUGH
 CENTER SQUARE, P.O. BOX 190
 RED LION, PA 17356
 TELEPHONE: (717)244-3475 FAX: (717)246-0455

DEPRESSED CURB AND
 SIDEWALK DETAIL

| | |
|-----------|---------|
| DATE: | 9/2005 |
| DRAWN BY: | JLD |
| CHK. BY: | SKS |
| NO. | 02525-2 |

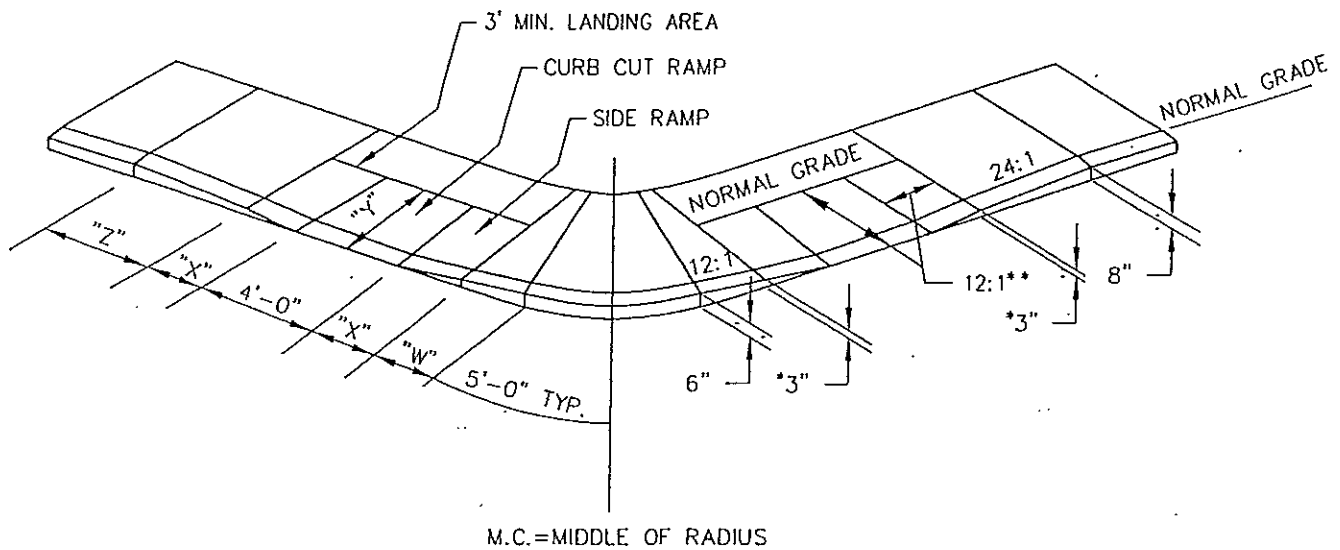
10/11/2005 11:18:16 AM, HP_5000.p03

"W" - LENGTH NEEDED TO MAINTAIN A MAXIMUM 12:1 SLOPE ALONG THE FACE OF THE CURB.

"X" - LENGTH NEEDED TO MAINTAIN A MAXIMUM 12:1 SLOPE ALONG THE FACE OF THE CURB.

"Y" - LENGTH NEEDED TO MAINTAIN A MAXIMUM 12:1 SLOPE FROM THE CURB LINE TO THE TOP OF THE RAMP.

"Z" - LENGTH NEEDED TO MAINTAIN A MAXIMUM 24:1 SLOPE ON THE CURB AND SIDEWALK AREAS.



M.C.=MIDDLE OF RADIUS

* THIS DIMENSION VARIES FROM A MINIMUM OF 3" FOR A 5' SIDEWALK TO FULL CURB HEIGHT WITHOUT REQUIRING A 24:1 SIDEWALK SLOPE FOR SIDEWALKS OF 11' OR MORE WIDTH.

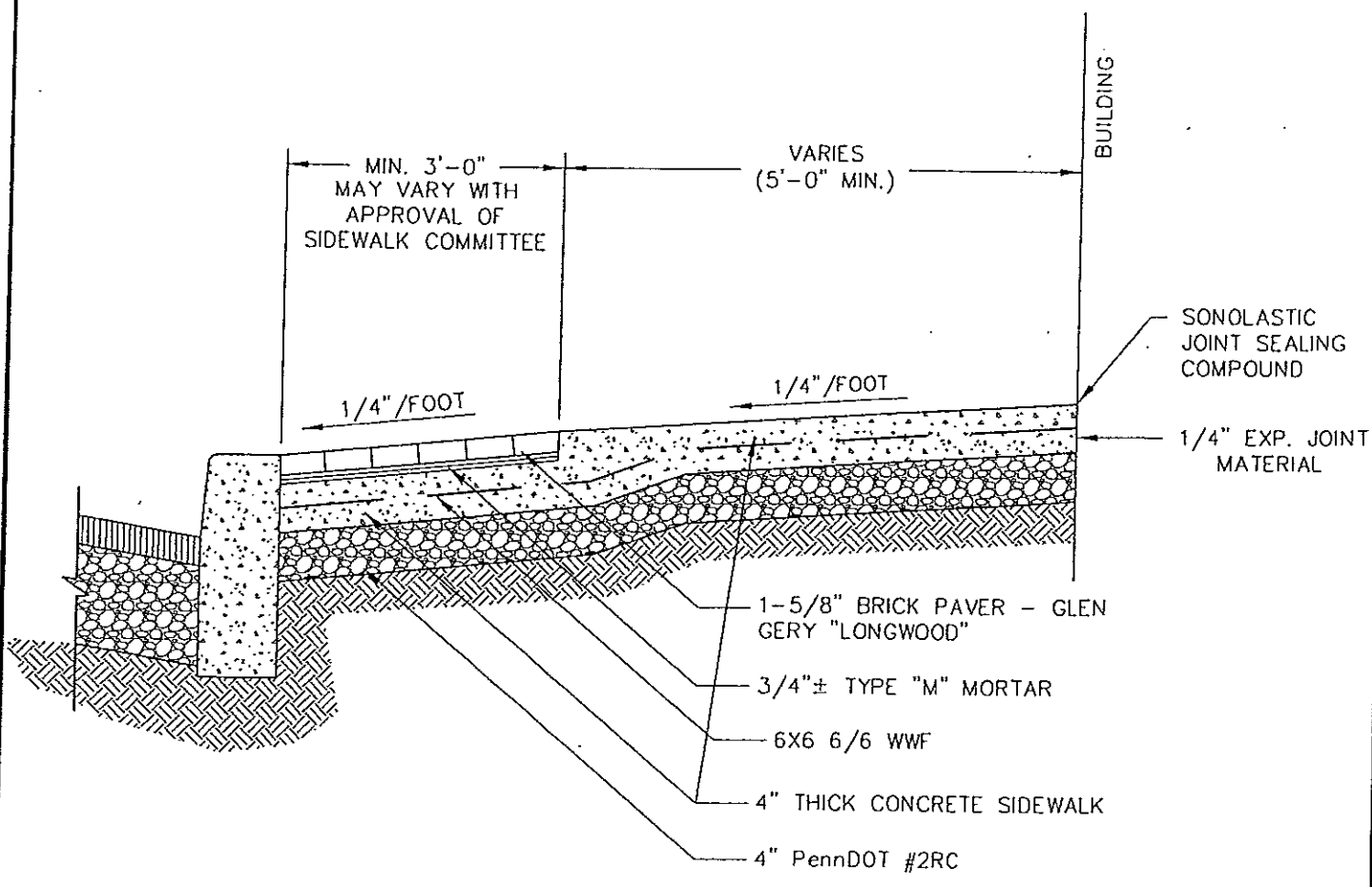
** FOR VERY NARROW SIDEWALKS, AN 8:1 SLOPE MAY BE USED.

NOTE: NOT TO SCALE

RED LION BOROUGH CONSTRUCTION & MATERIALS SPECIFICATIONS

| | | |
|---|-----------------------|---------------|
| <p>RED LION BOROUGH CENTER SQUARE, P.O. BOX 190 RED LION, PA 17356 TELEPHONE: (717)244-3475 FAX: (717)246-0455</p> | <p>HANDICAP RAMPS</p> | DATE: 9/2005 |
| | | DRAWN BY: JLD |
| | | CHK. BY: SRS |
| | | NO. 02525-3 |

K:\1\193100uayawg\02525-3.dwg, 10/17/2005 10:27:19 AM, HP_5000.pc3



NOTE: NOT TO SCALE

RED LION BOROUGH CONSTRUCTION & MATERIALS SPECIFICATIONS

| | | |
|--|---------------------------------|---------------------|
| <p>RED LION BOROUGH CENTER SQUARE, P.O. BOX 190 RED LION, PA 17356 TELEPHONE: (717)244-3475 FAX: (717)246-0455</p> | <p>BRICK WALKWAY DETAIL</p> | DATE: 9/2005 |
| | | DRAWN BY: JLD |
| | | CHK. BY: <i>SJS</i> |
| | | NO. 02525-4 |

n:\119310\000\000\02525-4.dwg, 10/1/2005 10:30:11 AM, HP_5000.pcs